

THIS DRAWING IS UNPUBLISHED. RELEASED FOR PUBLICATION ,19 .
 © COPYRIGHT 19 BY AMP INCORPORATED. ALL INTERNATIONAL RIGHTS RESERVED.

LOC	DIST	P	F	REVISIONS				
G	14			ZONE	LTR	DESCRIPTION	DATE	APPD
					C	REV PER 0G3A-0001-03	06JAN03	JR/TM

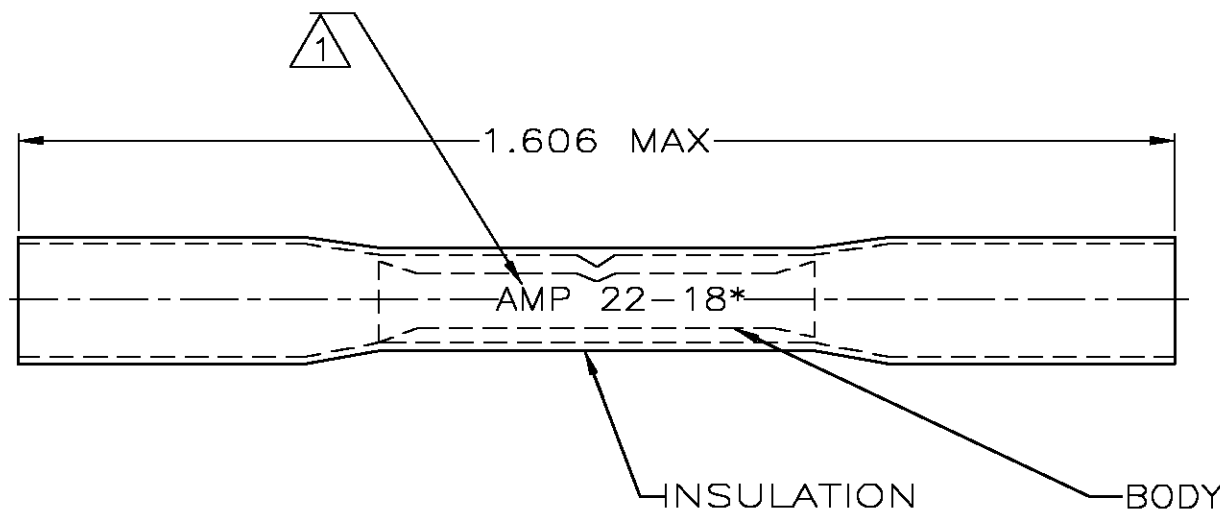
AMP WIRE RANGE	Listed	Certified
22-18 AWG STRANDED	22-18 AWG STRANDED	22-18 AWG STRANDED

METRIC

DIMENSIONS LISTED IN mm [INCHES]

NOTES:

- STAMP AMP 22-18* APPROX AS SHOWN
- WIRE INSULATION .170 DIA MAX.
- NO UL APPROVAL & NO CSA APPROVAL
- PRELIMINARY - NOT FOR PRODUCTION



2500	ON TAPE, REEL	2-55824-1
50	LOOSE PIECE	8-55824-2
1000	LOOSE PIECE	55824-1
QTY	PACKAGE TYPE	PART NO
DR 6/93 S S GOULDEN	AMP AMP Incorporated Harrisburg, PA 17105-3608	
CHK 6/93 R HERSEY		
APPD 6/93 B BARE	NAME SPLICE, SEALABLE HEAT SHRINKABLE	
APPD 6/93 M ELLIS	SIZE B	CAGE CODE 00779
PRODUCT SPEC -	DRAWING NO C=55824	
APPLICATION SPEC -	SCALE NTS	SHEET 1 OF 1
WEIGHT -		

AMP INCORPORATED CUSTOMER SERVICE SYSTEMS		MAX RECOMMENDED OPERATING TEMPERATURE: 125° C MAX
FOR ADDITIONAL PRODUCT INFORMATION OR COPIES OF DRAWINGS AND TECHNICAL DOCUMENTS	PRODUCT INFORMATION CENTER 1-800-522-6752	VOLTAGE RATING: 600V MAX (BUILDING WIRING) 1000V MAX (FIXTURES & SIGNS)
FOR APPLICATION TOOLING INFORMATION	TOOLING ASSISTANCE CENTER 1-800-722-1111	CIRCULAR MIL AREA: 0.26-0.96mm ² [509-1900] STRANDED
FOR ORDER ENTRY	1-800-526-5142	FINISH EDP TIN PLATED
THIS DRAWING IS A CONTROLLED DOCUMENT FOR AMP INCORPORATED. IT IS SUBJECT TO CHANGE AND THE CONTROLLING ENGINEERING ORGANIZATION SHOULD BE CONTACTED FOR THE LATEST REVISION.		